

Standard system contact pressure gauges for the chemical industry

with or without dampening

Nominal size ND 100

Accuracy class 1,0

According to DIN EN 837-1

Features

- Modular construction system ensures high reliability and long service life
- Measuring system stainless steel 1.4571
- Protection to IP 65
- Liquid dampening provides vibration-free display



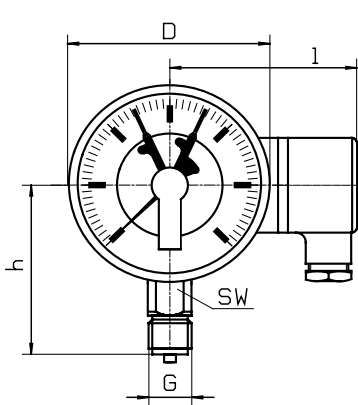
Applications

- Process engineering
- Mechanical engineering and plant construction
- Water treatment
- Food industry

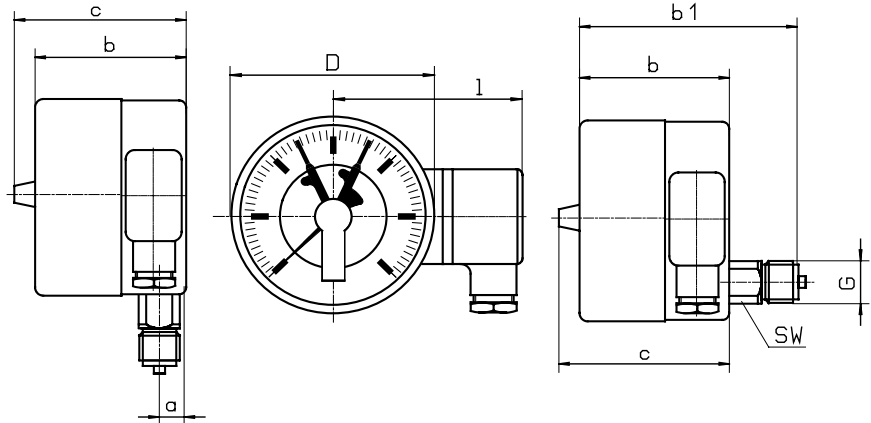
Design	with siliconoil filling			
Models and ND	KMR-30 100	KMR-35 100	KMR-30 100 F	KMR-35 100 F
Connection	bottom	back,eccentric	bottom	back,eccentric
Ranges in bar	0...1, 1,6, 2,5, 4, 6, 10, 16, 25, 40, 60, 100, 160, 250, 400, 600, 1.000, 1.600 -1 / 0, -1 / +0,6, -1 / +1,5, -1 / +3, -1 / +5, -1 / +9, -1 / +15			
Application	Constant load : up to full scale value Alternating load: up to 0,9 x full scale value Short-time: overload capacity 1,3 x full scale value			
Case	CrNi steel			
Bezel	CrNi steel			
Window	Polycarbonat			
Dial	Aluminium white,scale and imprint black to DIN 16109			
Pointer	Aluminium, black			
Movement	CrNi steel			
Measuring element	CrNi steel ,to 40 bar with bourdon tube, from 60 bar helical tube			
Pressure Connection	SW 22, CrNi steel			
Connectin thread	G 1/2 B			
Protection	IP 54 to EN 60529 / IEC 529		IP 65 to EN 60529 / IEC 529	
Temperatures	Medium: -20°C bis 80°C, Ambient: -25°C bis 60°C			
Weight	0,9 kg		1,4 kg	
Technical Information for Contact types look at modelspecification M 950 and M 960				

Dimensions

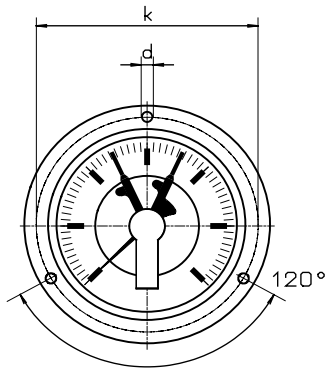
Connection position bottom radial



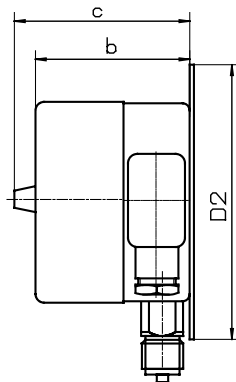
Connection position back, eccentric



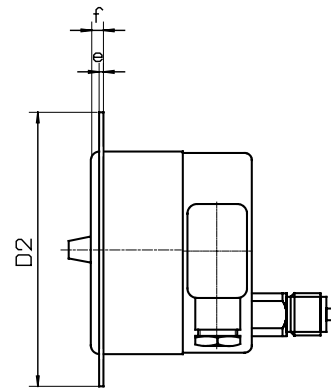
Front / rear mounting flange



rear mounting flange



front mounting flange



Dimensions in mm

Model	NG	D	a	b	b1	h		D2	e	f	k	d	sw	G
KMR-30	100	101	15	78	-	86		132	2	6	116	5	22	G 1/2 B
KMR-35	100	101	-	78	113	-		132	2	6	116	5	22	G 1/2 B

Model	NG	c	l
KMR-30	100	88	88
KMR-35	100	88	88

Modelspecification

